

GAS LOAD TABLE					
⊖ ⊕	INPUT(MBH)	REQUIRED PRESSURE	REQUIRED REGULATOR	SYSTEM PRESSURE	NOTES
F-1	66	7"	-	LOW	1,2,3
F-2	66	7"	-	LOW	1,2,3
F-3	66	7"	-	LOW	1,2,3
F-4	66	7"	-	LOW	1,2,3
F-5	66	7"	-	LOW	1,2,3
F-6	66	7"	-	LOW	1,2,3
F-7	66	7"	-	LOW	1,2,3
F-8	66	7"	-	LOW	1,2,3
F-9	66	7"	-	LOW	1,2,3
F-10	66	7"	-	LOW	1,2,3
F-11	66	7"	-	LOW	1,2,3
F-12	66	7"	-	LOW	1,2,3
F-13	44	7"	-	LOW	1,2,3
F-14	44	7"	-	LOW	1,2,3
RTU-1	130	7"	325-3LB	2 PSI	1,2
(E) WH	199.9	7"	(E) REGULATOR	2 PSI	1
TOTAL LOAD	1,210 MBH				

NOTES:

- INSTALL AND VENT REGULATOR PER MANUFACTURER'S RECOMMENDATIONS.
- COORDINATE WITH MECHANICAL CONTRACTOR FOR EQUIPMENT LOCATIONS AND REQUIRED CONNECTION.
- NEW GAS SYSTEM FOR FURNACES:
  - PROVIDE PRESSURE REGULATOR (2 PSI - 10" W.C.) MAXITROL 325-3LB.
  - GAS PIPING DESIGNED FOR LOW PRESSURE (10" W.C.) WITH PRESSURE DROP OF 3" W.C. AND TOTAL LENGTH OF 300 FEET.

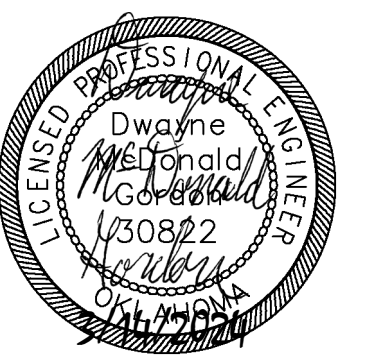
GENERAL PLUMBING NOTES	
1. THESE DRAWINGS SHALL NOT BE SCALED. SEE ARCHITECTURAL/CIVIL DRAWINGS FOR DIMENSIONAL INFORMATION. THIS ENGINEER WILL NOT BE LIABLE FOR MISCALCULATED PRODUCT TAKE-OFFS DUE TO SCALING OF DRAWINGS.	
2. ALL SANITARY PIPING SHALL HAVE A 1/8" PER FOOT SLOPE UNLESS OTHERWISE NOTED. 2" SANITARY OR SMALLER SHALL HAVE A 1/4" PER FOOT SLOPE.	
3. VALVES AND FITTINGS SHALL BE OF SAME SIZE AS THE LINE ON WHICH THEY ARE LOCATED, UNLESS OTHERWISE INDICATED ON DRAWINGS.	
4. CONTRACTOR SHALL COORDINATE ALL WORK WITH OTHER TRADES.	
5. CONTRACTOR SHALL FIELD VERIFY ALL GIVEN MEASUREMENTS PRIOR TO LAYING AND CONNECTING ALL SANITARY AND WASTE PIPING AND NOTIFY ENGINEER OF ANY DISCREPANCIES.	
6. CONTRACTOR SHALL BE RESPONSIBLE FOR MAINTAINING FIRE RATING AND WEATHERPROOFING INTEGRITY OF ALL PIPING AND PENETRATIONS.	
7. ALL WATER SUPPLY AND SANITARY LINES SHALL BE RUN AS CLOSE TO PLANS AS POSSIBLE WITH NO CHANGES IN SIZING.	
8. CHANGES IN THE DIRECTION OF SANITARY DRAIN PIPING SHALL NOT BE MADE WITH FITTINGS WHICH WILL CAUSE EXCESSIVE REDUCTION IN THE VELOCITY OF FLOW OR CREATE ANY OTHER ADVERSE EFFECT UNLESS PHYSICALLY IMPOSSIBLE (I.E.: USE OF SANITARY TEE IN A HORIZONTAL CONNECTION, USE OF A DOUBLE SANITARY TEE IN A VERTICAL STACK, IN GENERAL, USE OF SHORT-RADIUS FITTINGS FOR BRANCH TO HOUSE DRAIN OR STACK CONNECTION).	
9. CONTRACTOR SHALL GIVE 48 HOURS HOUR EMERGENCY LOCATE NOTICE TO APPLICABLE UTILITY COMPANY PRIOR TO PERFORMING WORK INVOLVING UTILITIES.	
10. ALL DRAINAGE PIPING SHALL BE MARKED WITH THE SEAL OF APPROVAL OF THE NATIONAL SANITATION FOUNDATION.	
11. ROUTE ALL PIPING CONCEALED ABOVE CEILINGS, WITHIN WALLS, OR IN CHASES. PIPING EXPOSED SHALL BE SLOPED AND PAINTED TO MATCH ARCHITECTURAL FINISHES. PIPING IN MECHANICAL ROOMS MAY BE EXPOSED.	
12. CONTRACTOR SHALL VERIFY INVERT ELEVATIONS OF SEWERS TO WHICH NEW SEWER LINES ARE TO BE CONNECTED BEFORE INSTALLATION OF NEW SEWER LINE.	
13. ALL VENTS THROUGH ROOF SHALL BE MIN. 10'-0" FROM ANY AIR INTAKES.	
14. CONTRACTOR SHALL INSTALL DIELECTRIC UNIONS AT CONNECTIONS OF DISSIMILAR METALS.	
15. CONTRACTOR SHALL ROUGH-IN ALL WASTES AND SUPPLIES TO SPECIAL EQUIPMENT ACCORDING TO MANUFACTURER'S SHOP DRAWINGS AND MAKE FINAL CONNECTIONS. ALL SUPPLIES SHALL BE VALVED. INSTALL VACUUM BREAKERS WHERE REQUIRED BY CODE.	
16. DO NOT PENETRATE WALL FOOTINGS WITH PIPING, COORDINATE WITH GENERAL CONTRACTOR TO DROP FOOTINGS AS REQUIRED TO CLEAR PLUMBING SERVICES WHERE ABSOLUTELY NECESSARY. ALL PIPING PENETRATING A BEARING WALL OR FOOTING MUST BE SLEEVED AND LOCATION APPROVED BY STRUCTURAL ENGINEER. PROVIDE LINK-SEALS IN ALL PENETRATIONS OF EXTERIOR WALLS.	
17. ALL PIPING SHALL BE INSTALLED AS HIGH AS POSSIBLE IN PROVIDED CEILING SPACE.	
18. COORDINATE PIPING INSTALLATION AS TO NOT INTERFERE WITH HVAC EQUIPMENT ACCESS.	
19. ANY ERRORS OR AMBIGUITIES IN THE PLANS AND/OR SPECIFICATIONS THAT ARE DISCOVERED BY THE CONTRACTOR SHALL BE REPORTED TO THE ARCHITECT/ENGINEER BEFORE WORK IS STARTED. OMISSION OF PARTICULAR REFERENCE TO ANY ITEM NECESSARY FOR COMPLETE INSTALLATION AND PROPER OPERATION THEREOF SHALL NOT RELIEVE THE CONTRACTOR OF THE RESPONSIBILITY OF FURNISHING THE SAME AT NO EXTRA COST. THE CONTRACTOR IS RESPONSIBLE FOR REVIEWING ALL CONSTRUCTION DOCUMENTS FOR INFORMATION PRIOR TO BID.	
20. VERIFY WITH ARCHITECT ON ALL EQUIPMENT AND FIXTURES REQUIRING PLUMBING PRIOR TO BID. COORDINATE EXACT LOCATIONS AND CONNECTIONS.	
21. ALL WORK SHALL BE IN COMPLIANCE WITH STATE AND LOCAL CODES.	
22. CONTRACTOR SHALL PAY ALL FEES, PERMITS, LICENSES, ETC. NECESSARY FOR PROPER COMPLETION OF WORK.	
23. INSTALL ALL EQUIPMENT IN ACCORDANCE WITH MANUFACTURER'S RECOMMENDATIONS.	

PLUMBING PIPING LINETYPES	
LINETYPE	DESCRIPTION
----	DEMOLITION
---	GAS
_____	SANITARY ABOVE GRADE
-----	SANITARY BELOW GRADE
_____	STORM ABOVE GRADE
-----	STORM BELOW GRADE
-----	VENT ABOVE GRADE
-----	VENT BELOW GRADE
_____	COLD WATER
-----	COLD WATER BELOW GRADE
_____	HOT WATER
-----	HOT WATER BELOW GRADE
-----	RECIRC WATER
-----	RECIRC WATER BELOW GRADE

PLUMBING PIPING LEGEND	
	CIRCUIT SETTER
	BALL VALVE OR SHUT-OFF VALVE
	SPRING CHECK VALVE
	END CAP
	NEW TO EXISTING PIPE CONNECTION
	FLOW DIRECTION ARROW
	NEW TO EXISTING POINT OF CONNECTION SYMBOL
	PIPE CONNECTION
	HAMMER ARRESTOR (PISTON TYPE)
	HAMMER ARRESTOR (BELLOWS TYPE)
	PIPING LINEWEIGHT: NEW/DEMOLITION
	PIPING LINEWEIGHT: EXISTING

PLUMBING ABBREVIATIONS			
AG	ABOVE GRADE	MAU	MAKE-UP AIR UNIT
ADD	ADDENDUM	MC	MECHANICAL CONTRACTOR
ADDL	ADDITIONAL	MECH	MECHANICAL
ADJ	ADJUSTABLE	MIN	MINIMUM
AFF	ABOVE FINISH FLOOR	NC	NATURAL GAS
AFG	ABOVE FINISH GRADE	NTS	NOT TO SCALE
ALT	ALTERNATE	NPCW	NON POTABLE COLD WATER
BG	BELOW GRADE	ORD	OVERFLOW ROOF DRAIN
CO	CLEANOUT	OS	OPEN SITE
COL	COLUMN	OSD	OVERFLOW STORM DRAIN
CW	COLD WATER	PC	PLUMBING CONTRACTOR
DN	DOWN	PLBG	PLUMBING
DS	DOWNSPOUT	PRES	PRESSURE
EC	ELECTRICAL CONTRACTOR	QTY	QUANTITY
ECO	EXTERIOR CLEANOUT	RD	ROOF DRAIN
EQ	EQUAL	RTU	ROOFTOP UNIT
FCO	FLOOR CLEANOUT	SAN	SANITARY
FD	FLOOR DRAIN	SCH	SCHEDULE
FLR	FLOOR	SD	STORM DRAIN
FS	FLOOR SINK	SPEC	SPECIFICATIONS
FT	FOOT (FEET)	SS	STAINLESS STEEL
F	FURNACE	TEMP	TEMPERATURE
GAL	GALLON	TYP	TYPICAL
GC	GENERAL CONTRACTOR	UR	URNAL
GPM	GALLONS PER MINUTE	V	VENT
GI	GREASE INTERCEPTOR	VTR	VENT THRU ROOF
GW	GREASE WASTE	W/	WITH
HW	HOT WATER	WCO	WALL CLEANOUT
HWR	HOT WATER RETURN	WC	WATER CLOSET

PLUMBING SHEET INDEX	
P000	PLUMBING TITLE SHEET
P100	PLUMBING SITE PLAN
P101	PLUMBING PLAN
P201	PLUMBING PLAN - ROOF
P501	PLUMBING DETAILS



KC	drawn by
KP	checked by
MARCH 2024	date
	revisions

MOORE PUBLIC SCHOOLS  
BOARD OF EDUCATION  
MOORE, OKLAHOMA

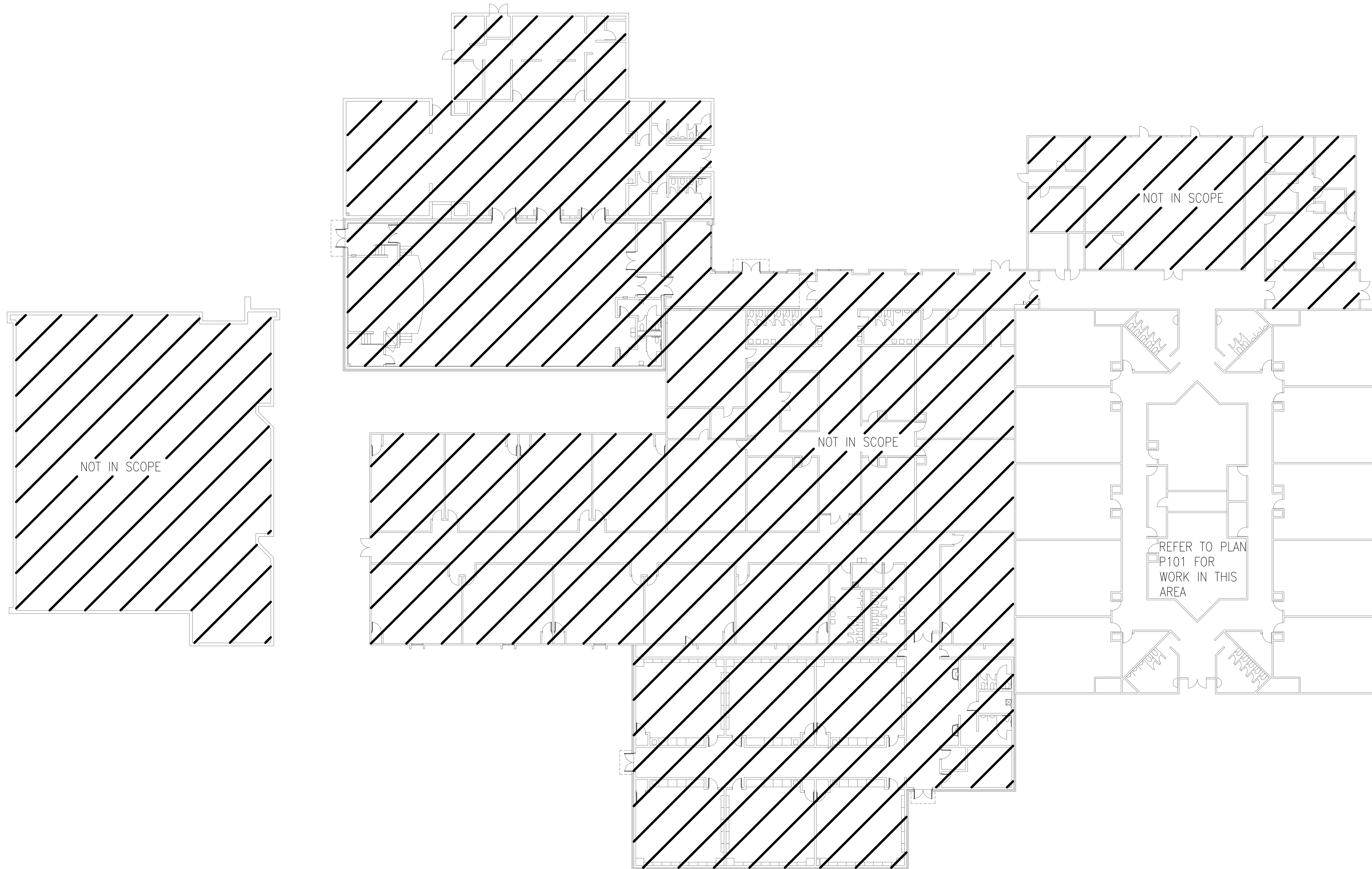


HVAC REPLACEMENT  
KINGSGATE  
ELEMENTARY SCHOOL

sheet no:

## P100

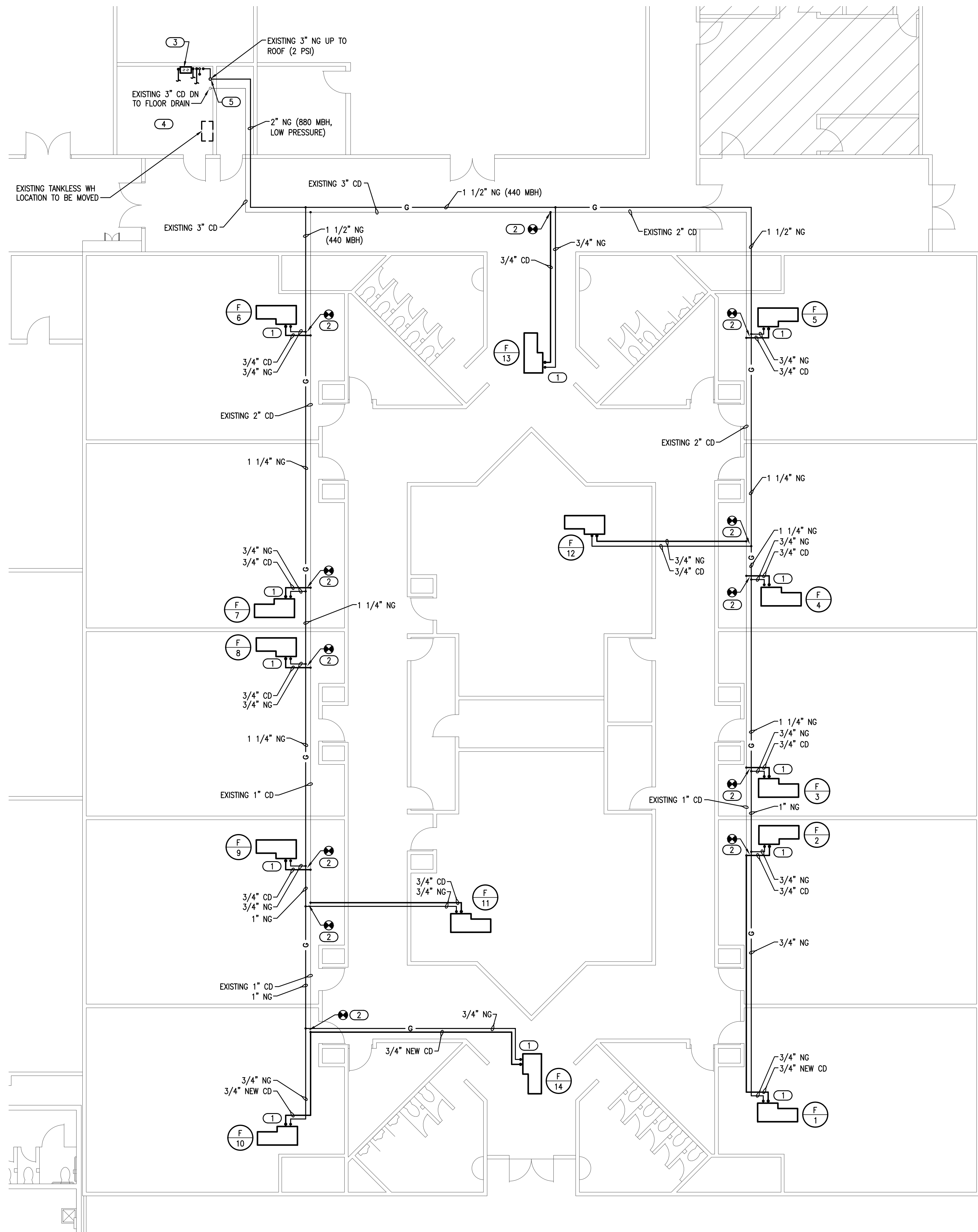
OWNERSHIP USE OF DOCUMENTS:  
AGP EXPRESSLY RESERVES ITS  
COPYRIGHT AND OTHER PROPERTY  
RIGHTS OF ALL PLANS AND DRAWINGS  
DESIGNED AND/OR PRODUCED. PLANS  
AND DRAWINGS ARE NOT TO BE  
REPRODUCED IN ANY FORM OR MANNER  
WITHOUT THE EXPRESSED WRITTEN  
CONSENT OF AGP.



**1** PLUMBING PLAN - OVERALL  
SCALE: 1/16" = 1'-0"



**Salas O'Brien**  
2600 Van Buren St., Suite 2635  
Norman, OK 73072  
Salas O'Brien Registration: CA# 7058  
Expiration Date: 6/30/2025  
Salas O'Brien Project Number: 2024-01144-00



**GENERAL NOTES**

- COORDINATE WORK WITH ALL OTHER TRADES ON SITE.
- FIELD VERIFY EXISTING CONDITIONS PRIOR TO COMMENCING WORK.
- SUPPORT PIPING PER LOCAL PLUMBING CODES.

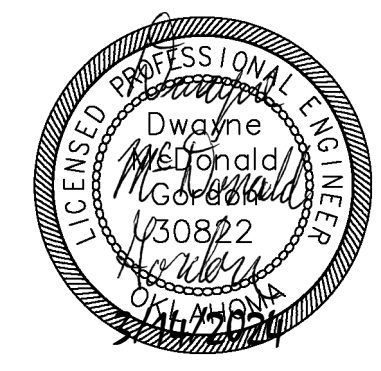
**KEYED NOTES**

- INSTALL 3/4" NATURAL GAS (LOW PRESSURE). PROVIDE SHUTOFF VALVE, DRIP LEG, PRESSURE REGULATOR (IF REQUIRED) AND UNIT CONNECTION. ROUGH-IN AND COORDINATE FINAL CONNECTION WITH MC. SEE DETAIL 2/PS01.
- CONNECT NEW 3/4" CONDENSATE LINE TO EXISTING CONDENSATE MAIN. FIELD VERIFY EXISTING SIZES AND LOCATIONS.
- REMOVE AND RELOCATE EXISTING GAS FIRED TANKLESS WATER HEATER FROM CURRENT LOCATION TO NEW LOCATION AS INDICATED. PLUMBING CONTRACTOR TO REINSTALL AND ADJUST ALL WATER PIPING, VENT PIPING AND GAS PIPING. RELOCATE PRESSURE REGULATOR ON GAS LINE SERVING WATER HEATER. FIELD VERIFY EXISTING SIZES AND LOCATIONS.
- REMOVE GAS PIPING FROM BOILER UP TO EXISTING 3" GAS RISER BELOW EXISTING BRANCH GAS PIPE SERVING EXISTING WATER HEATER. FIELD VERIFY EXISTING SIZE AND LOCATION.
- CONNECT NEW 1 1/4" NATURAL GAS LINE (2 PSI) TO EXISTING 3" GAS RISER BELOW BRANCH LINE SERVING WATER HEATER. INSTALL PRESSURE REGULATOR (2 PSI - 10" W.C.) MAXITROL 325-3L OR EQUAL. EXTEND 2" NATURAL GAS LINE (LOW PRESSURE) TO SERVE NEW FURNACES.

**AGP**  
the Abila Griffin  
Partnership L.L.C.

201 N. BROADWAY  
SUITE 210  
MOORE, OK. 73160  
405.735.3477  
AGP@theAGP.net  
www.theAGP.net

**SALAS O'BRIEN**  
MECHANICAL / ELECTRICAL



KC  
drawn by  
KP  
checked by  
MARCH 2024  
date  
revisions

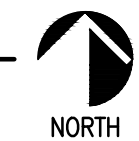
MOORE PUBLIC SCHOOLS  
BOARD OF EDUCATION  
MOORE, OKLAHOMA



HVAC REPLACEMENT  
KINGSGATE  
ELEMENTARY SCHOOL

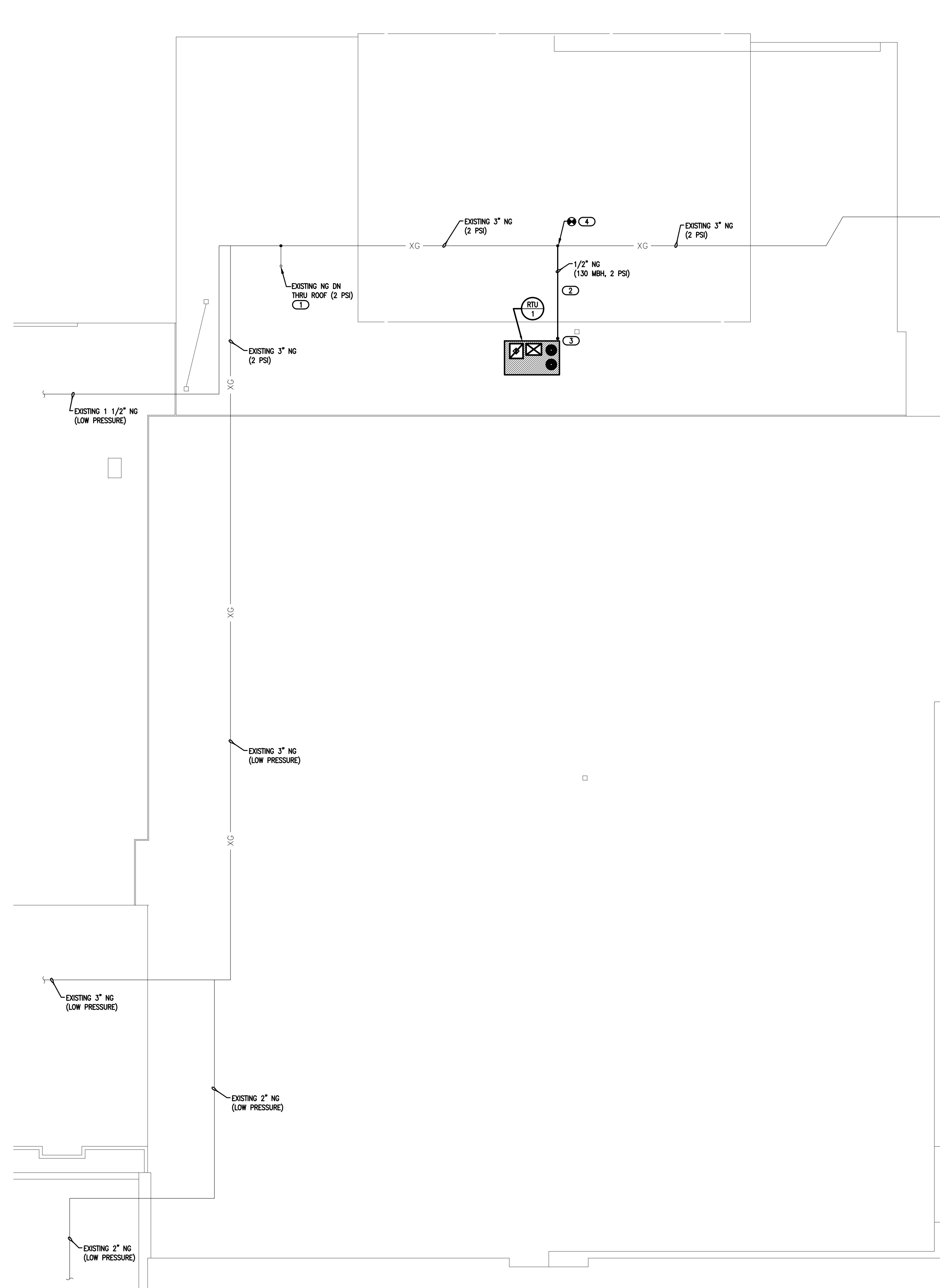
sheet no:  
**P101**

**1 PLUMBING PLAN**  
SCALE: 1/8" = 1'-0"



**Salas O'Brien**  
2600 Van Buren St., Suite 2635  
Norman, OK 73072  
Salas O'Brien Registration: CA# 7058  
Expiration Date: 6/30/2025  
Salas O'Brien Project Number: 2024-01144-00

OWNERSHIP USE OF DOCUMENTS:  
AGP EXPRESSLY RESERVES ITS  
COPYRIGHT AND OTHER PROPERTY  
RIGHTS OF ALL PLANS AND DRAWINGS  
DESIGNED AND/OR PRODUCED. PLANS  
AND DRAWINGS ARE NOT TO BE  
REPRODUCED IN ANY FORM OR MANNER  
WITHOUT THE EXPRESSED WRITTEN  
CONSENT OF AGP.



**1 PLUMBING PLAN - ROOF**  
SCALE: 3/32" = 1'-0"



**GENERAL NOTES**

1. COORDINATE WORK WITH ALL TRADES ON SITE.
2. FIELD VERIFY EXISTING CONDITIONS PRIOR TO COMMENCING WORK.
3. ALL ABOVE GRADE EXTERIOR NATURAL GAS PIPE SHALL BE CLEANED AND DEGREASED PRIOR TO BEING PRIMED THEN PAINTED YELLOW WITH WEATHER RESISTANT ZINC RICH PAINT.
4. PIPE IDENTIFICATION SHALL BE THE WORD "NATURAL GAS" IN BLACK LETTERS AT 5 FT INTERVALS USING PLASTIC PIPE MARKERS OR STENCILED PAINTED LETTERS.
5. ALL GAS PIPE SHALL COMPLY WITH IFGC. BRANCH LINES SHALL TAP OFF TOP OF GAS MAINS AND INSTALL SHUT-OFF VALVE ON BRANCH LINE.
6. MAINTAIN MINIMUM OF 10'-0" CLEAR BETWEEN EXHAUST AND INTAKE VENTS WITH MECHANICAL EQUIPMENT AND OTHER ROOF OPENINGS.

**KEYED NOTES**

- ① EXISTING NATURAL GAS LINE (2 PSI) DOWN THRU ROOF. PROVIDE NEW BOOT JACK AT ROOF PENETRATION AND SEAL WATERTIGHT. COORDINATE INSTALLATION WITH ROOFING CONTRACTOR. SEE PLAN P101 FOR CONTINUATION.
- ② ROUTE NATURAL GAS LINE (LOW PRESSURE) ON ROOF. PROVIDE MIRO INDUSTRIES MODEL 3-704H-7 ROOF TOP SUPPORTS OR APPROVED EQUAL. INSTALL AT MAXIMUM OF 10'-0" APART (CENTER TO CENTER) ON ALL 1/4" NATURAL GAS PIPING OR LARGER. INSTALL AT 8'-0" APART ON 1" OR 3/4" NATURAL GAS PIPING. INSTALL AT 6'-0" APART ON 1/2" NATURAL GAS PIPING. REFER TO GENERAL NOTES FOR PAINTING GAS LINE. SEE DETAIL 1/P501 FOR PIPE SUPPORT DETAIL.
- ③ INSTALL NATURAL GAS (2 PSI) LINE TO ROOFTOP UNIT. PROVIDE SHUTOFF VALVE, PRESSURE REGULATOR, DRIP LEG AND FINAL UNIT CONNECTION. ROUGH-IN AND COORDINATE FINAL CONNECTION WITH MC. SEE DETAIL 3/P501.
- ④ CONNECT NEW 1/2" NATURAL GAS LINE INTO TOP OF EXISTING NATURAL GAS LINE.

**AGP**  
the Abla Griffin  
Partnership L.L.C.

201 N. BROADWAY  
SUITE 210  
MOORE, OK. 73160  
405.735.3477  
AGP@theAGP.net  
www.theAGP.net

SALAS O'BRIEN  
MECHANICAL / ELECTRICAL



KC

drawn by

KP

checked by

MARCH 2024

date

revisions

MOORE PUBLIC SCHOOLS  
BOARD OF EDUCATION  
MOORE, OKLAHOMA



HVAC REPLACEMENT  
KINGSGATE  
ELEMENTARY SCHOOL

sheet no:

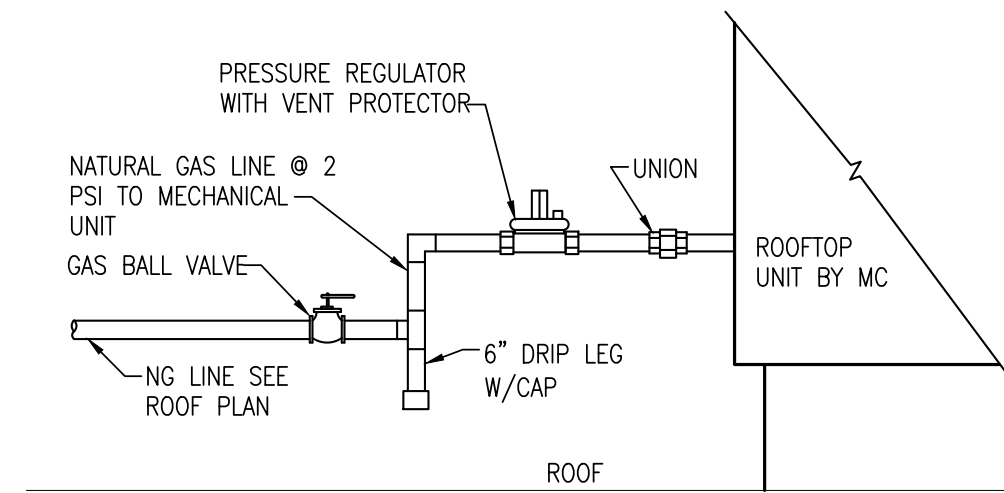
**P201**



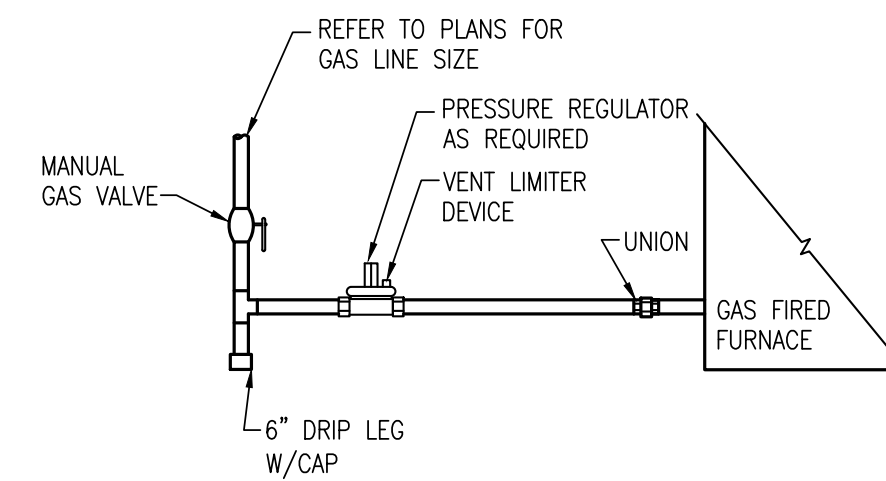
2600 Van Buren St., Suite 2635  
Norman, OK 73072  
Salas O'Brien Registration: CA# 7058  
Expiration Date: 6/30/2025  
Salas O'Brien Project Number: 2024-01144-00

OWNERSHIP USE OF DOCUMENTS:  
AGP EXPRESSLY RESERVES ITS  
COPYRIGHT AND OTHER PROPERTY  
RIGHTS OF ALL PLANS AND DRAWINGS  
DESIGNED AND/OR PRODUCED. PLANS  
AND DRAWINGS ARE NOT TO BE  
REPRODUCED IN ANY FORM OR MANNER  
WITHOUT THE EXPRESSED WRITTEN  
CONSENT OF AGP.

- NOTES:**
1. INSTALL PRESSURE REGULATOR PER MANUFACTURERS RECOMMENDATIONS. PROVIDE GAS REGULATOR VENT PROTECTOR. REFER TO GAS LOAD TABLE FOR REGULATOR SIZE.
  2. PROVIDE ROOF PIPE SUPPORTS FOR NATURAL GAS PIPING.
  3. PIPING ABOVE GRADE SHALL BE SCHEDULE 40 BLACK IRON. REFER TO SPECIFICATIONS FOR PAINTING PIPING YELLOW.
  4. COORDINATE FINAL CONNECTION TO UNIT WITH MC.

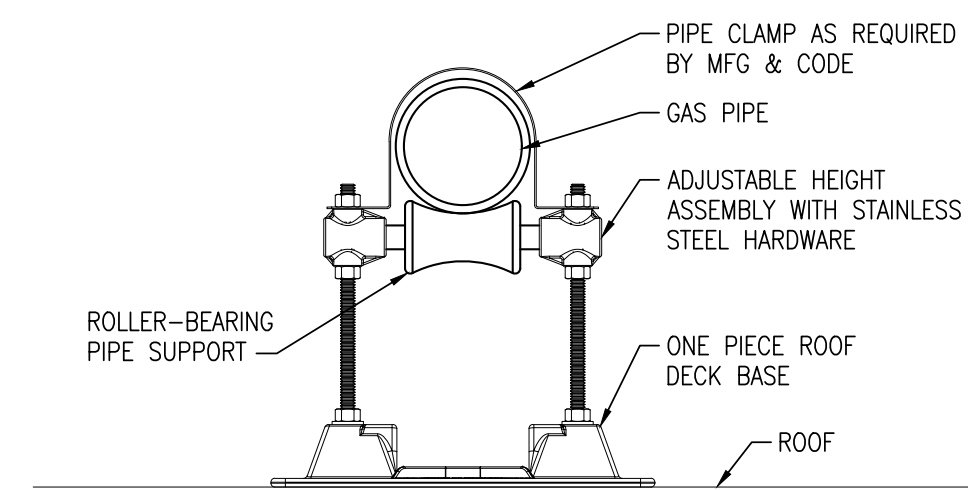
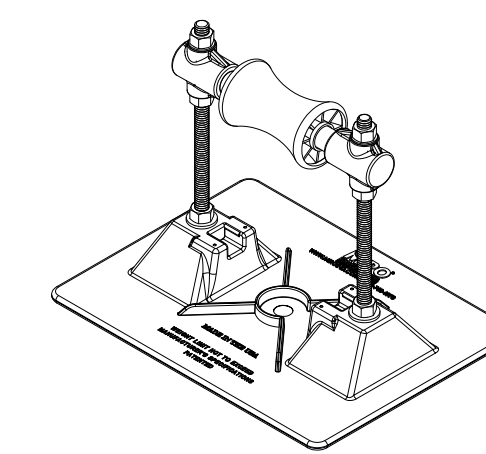


**3** ROOFTOP UNIT GAS CONNECTION DETAIL  
NOT TO SCALE

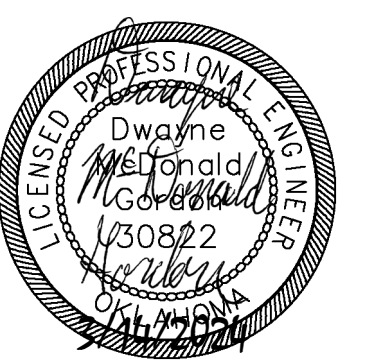


- NOTES:**
1. VENT GAS REGULATOR RELIEF TO ATMOSPHERE OR PROVIDE APPROVED VENT LIMITING DEVICE AS REQUIRED.
  2. COORDINATE FINAL CONNECTION TO UNIT WITH MC.

**2** FURNACE GAS CONNECTION DETAIL  
NOT TO SCALE



**1** ROOF PIPE SUPPORT DETAIL  
NOT TO SCALE



KC  
drawn by

KP  
checked by

MARCH 2024  
date

revisions

MOORE PUBLIC SCHOOLS  
BOARD OF EDUCATION  
MOORE, OKLAHOMA



HVAC REPLACEMENT  
KINGSGATE  
ELEMENTARY SCHOOL

sheet no:

**P501**

**Salas O'Brien**

2600 Van Buren St., Suite 2635  
Norman, OK 73072  
Salas O'Brien Registration: CA# 7058  
Expiration Date: 6/30/2025  
Salas O'Brien Project Number: 2024-01144-00

OWNERSHIP USE OF DOCUMENTS:  
AGP EXPRESSLY RESERVES ITS COPYRIGHT AND OTHER PROPERTY RIGHTS OF ALL PLANS AND DRAWINGS DESIGNED AND/OR PRODUCED. PLANS AND DRAWINGS ARE NOT TO BE REPRODUCED IN ANY FORM OR MANNER WITHOUT THE EXPRESSED WRITTEN CONSENT OF AGP.